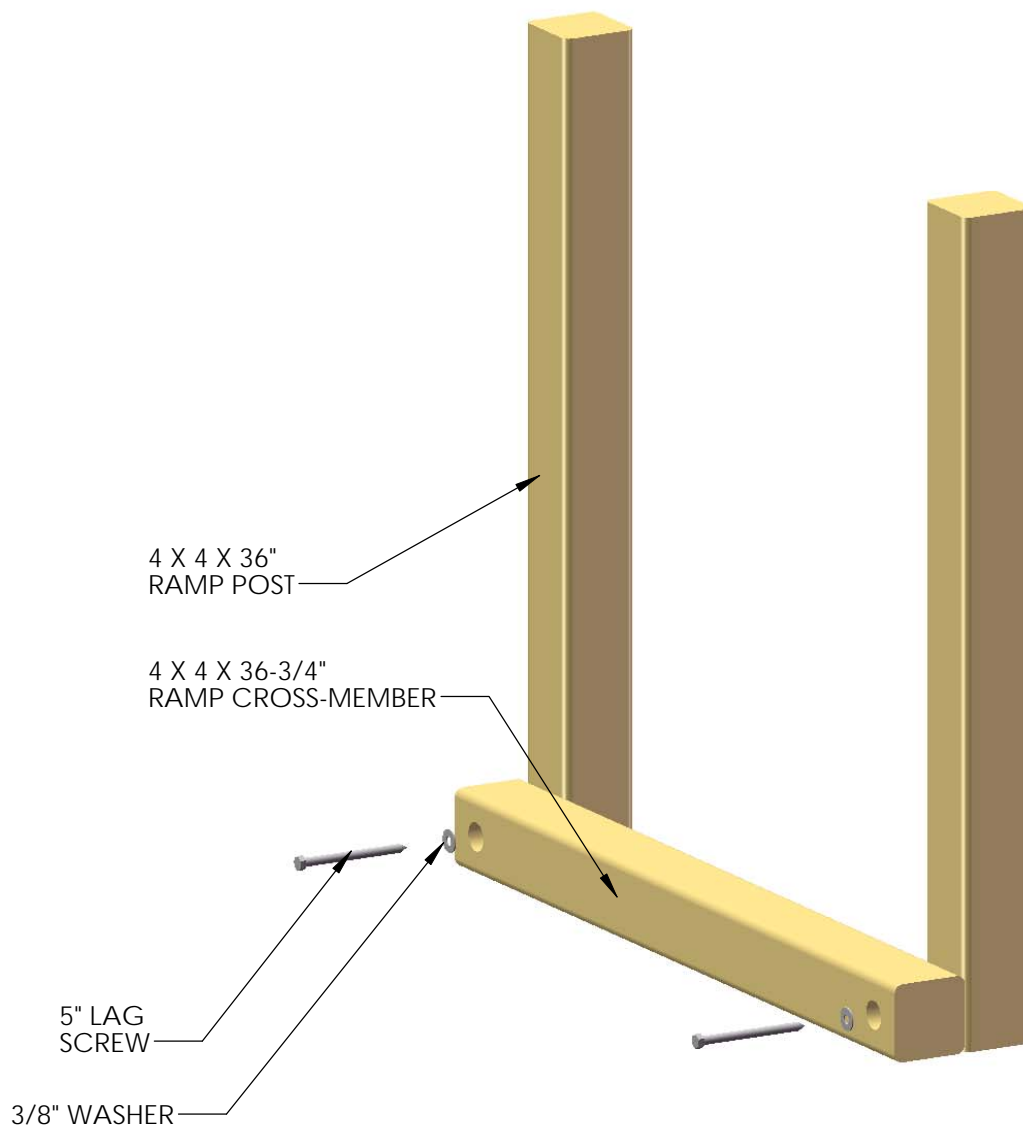


## Deluxe Climbing Ramp Add-On 2007 ASSEMBLY MANUAL

Copyright © 2007 Playnation Play Systems, Inc.  
All Rights Reserved  
Made in the U.S.A.

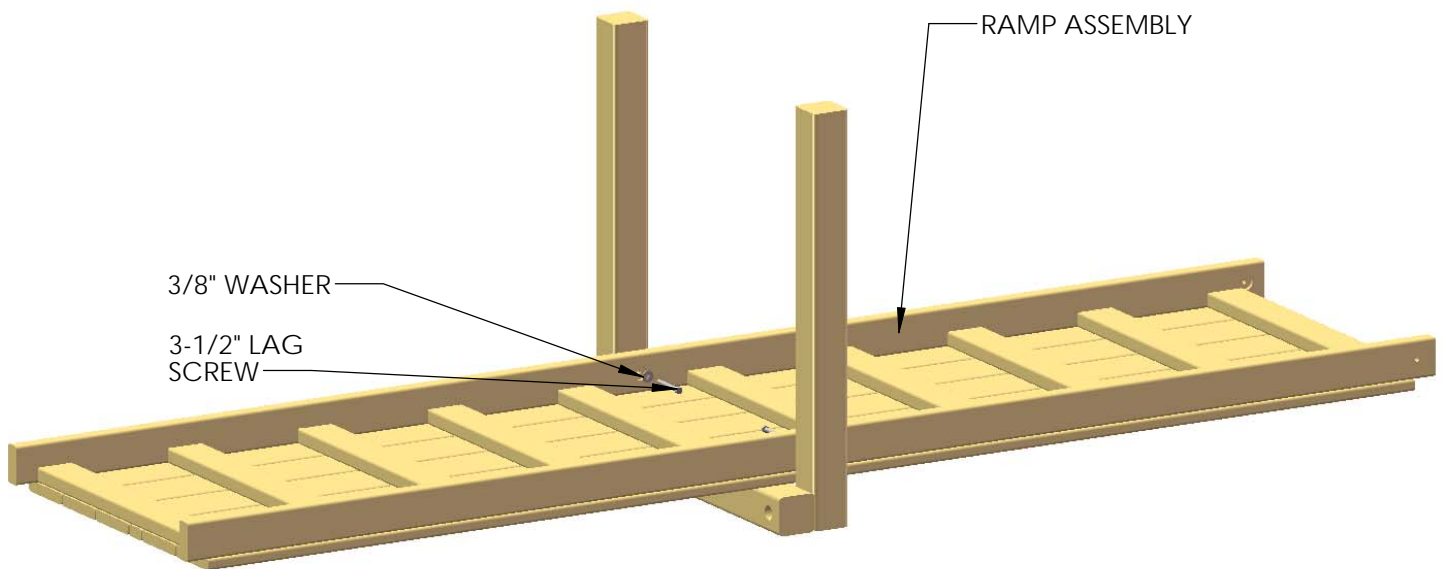
## STEP 1: CLIMBING RAMP

FASTEN THE 4 X 4 X 36" RAMP POST TO THE 4 X 4 X 36-3/4" RAMP CROSS-MEMBER WITH 5" LAG SCREWS AND 3/8" WASHERS.



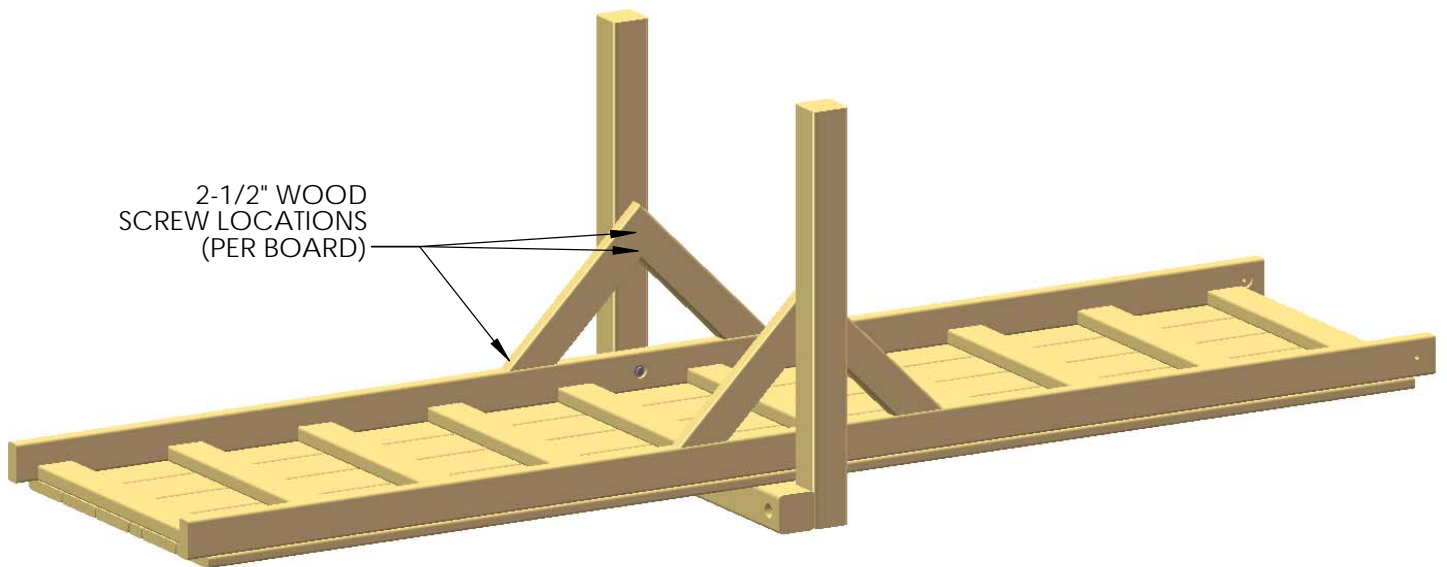
## STEP 2: CLIMBING RAMP

PLACE THE RAMP ASSEMBLY ON TOP OF THE RAMP CROSS-MEMBER AND CENTER THE COUNTER-SUNK HOLES TO THE CENTER OF THE RAMP POSTS. FASTEN THE RAMP ASSEMBLY TO THE RAMP POSTS WITH 3-1/2" LAG SCREWS AND 3/8" WASHERS FROM THE INSIDE OF THE RAMP ASSEMBLY.



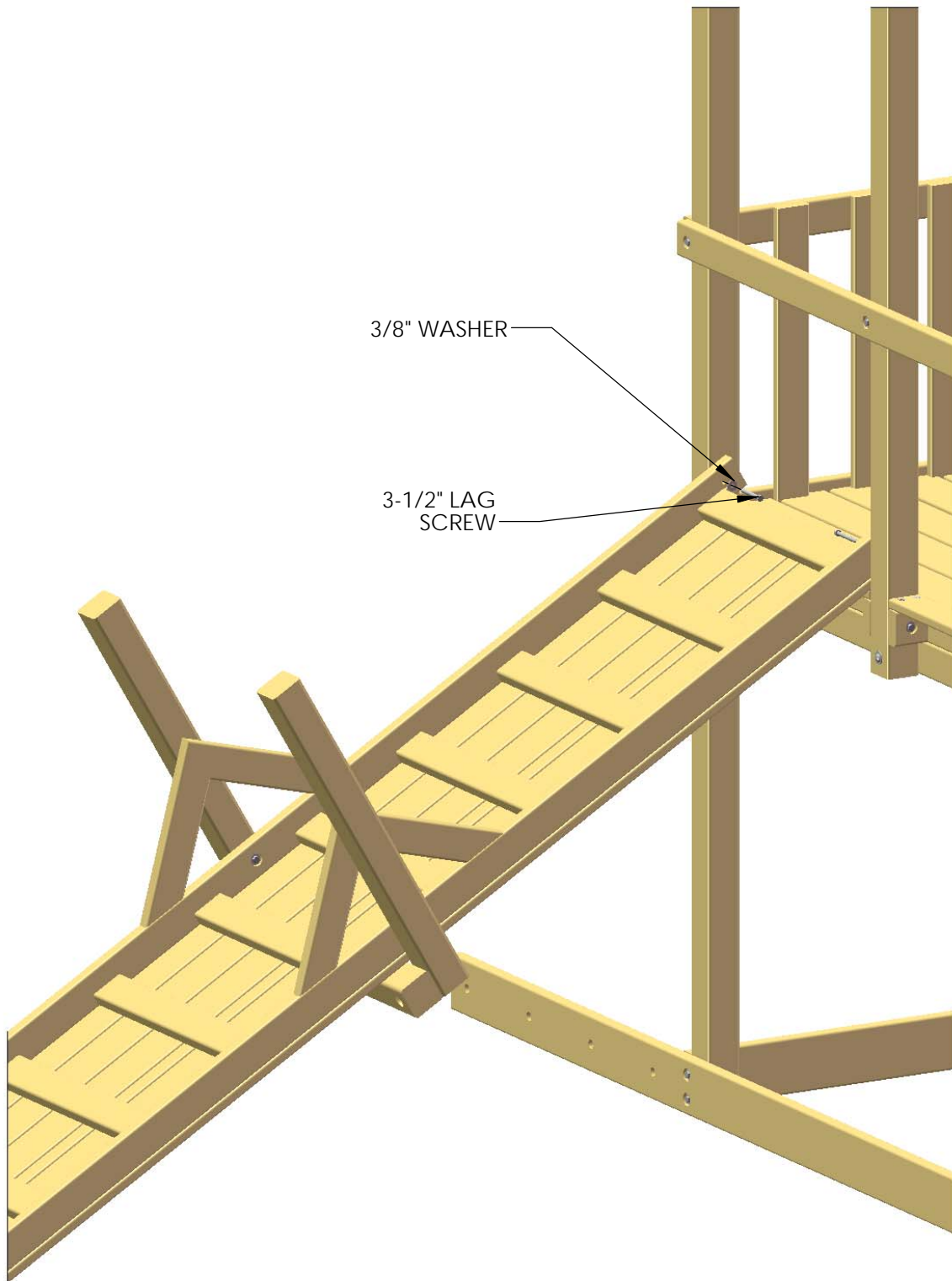
## STEP 3: CLIMBING RAMP

PLACE THE 2 X 4 X 18" RAMP POST SUPPORTS ON TOP OF THE 2 X 4 RAMP RAIL AND CENTER TO THE RAMP POSTS. FASTEN THE RAMP POST SUPPORTS TO THE RAMP POSTS WITH 2-1/2" WOOD SCREWS FROM THE INSIDE, AND TO THE 2 X 4 RAMP RAIL FROM THE TOP.



## STEP 4: CLIMBING RAMP

PLACE THE CLIMBING RAMP FLUSH TO THE INSIDE OF THE FRONT CENTER AND CORNER POSTS. FASTEN THE CLIMBING RAMP TO THE FRONT CENTER AND CORNER POSTS USING 3-1/2" LAG SCREWS AND 3/8" WASHERS FROM THE INSIDE OF THE CLIMBING RAMP RUNNERS.



## STEP 5: CLIMBING RAMP

DRILL 3/4" PILOT HOLES THROUGH THE FRONT OF THE RAMP POSTS, LEFT FRONT CORNER POST, AND CENTER POST; AND THROUGH THE SIDE OF THE 2 X 4 RAIL ON THE RAMP. THREAD THE ROPE THROUGH THE HOLES, STARTING AT THE HOLE IN THE RAMP POSTS. TIE A SECURE KNOT IN THE ROPE AT BOTH ENDS TO HOLD THE ROPE IN PLACE.

